



# MEDIRAY

For Every Little Breath

---

PORTABLE X-RAY SYSTEM



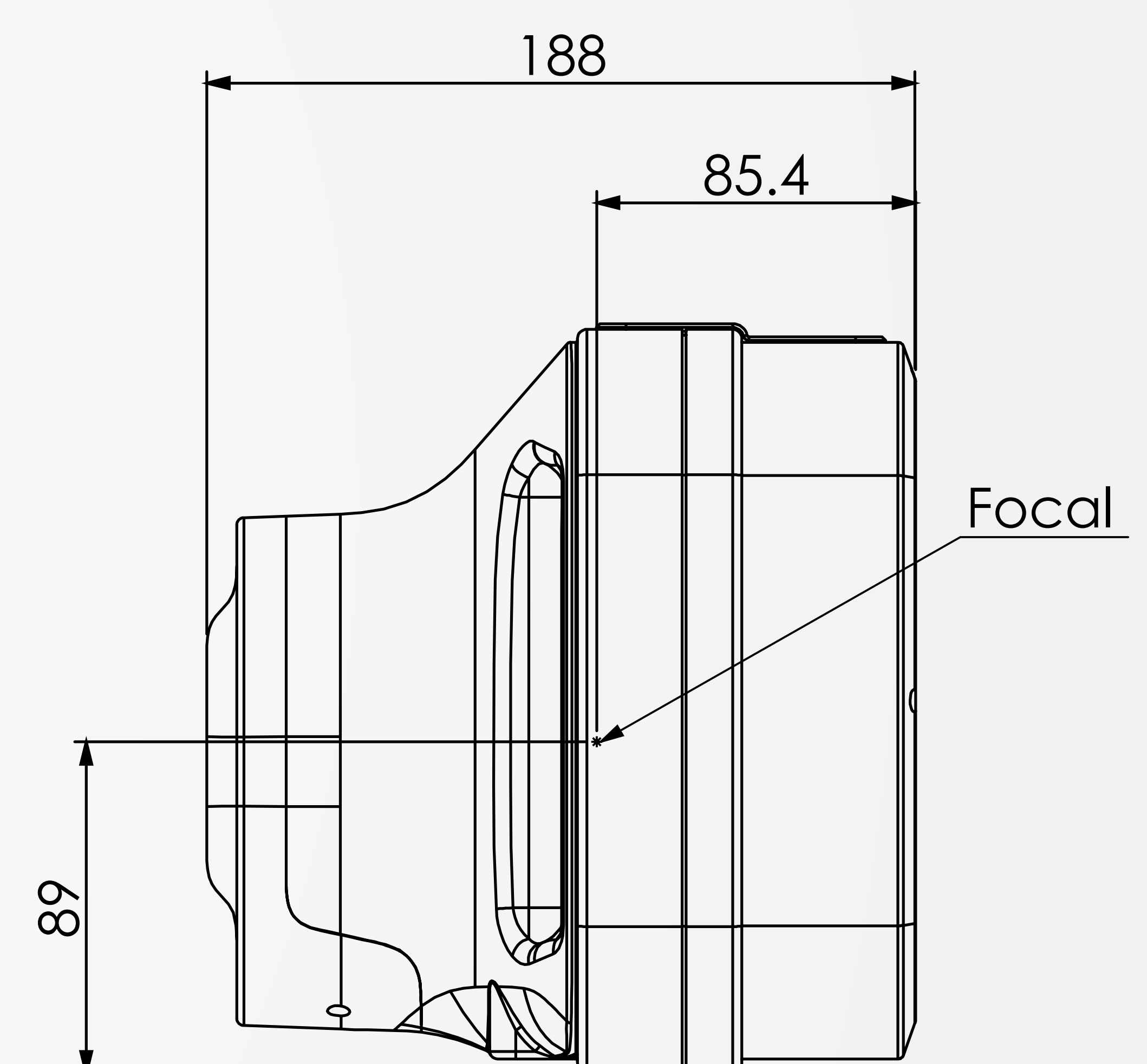
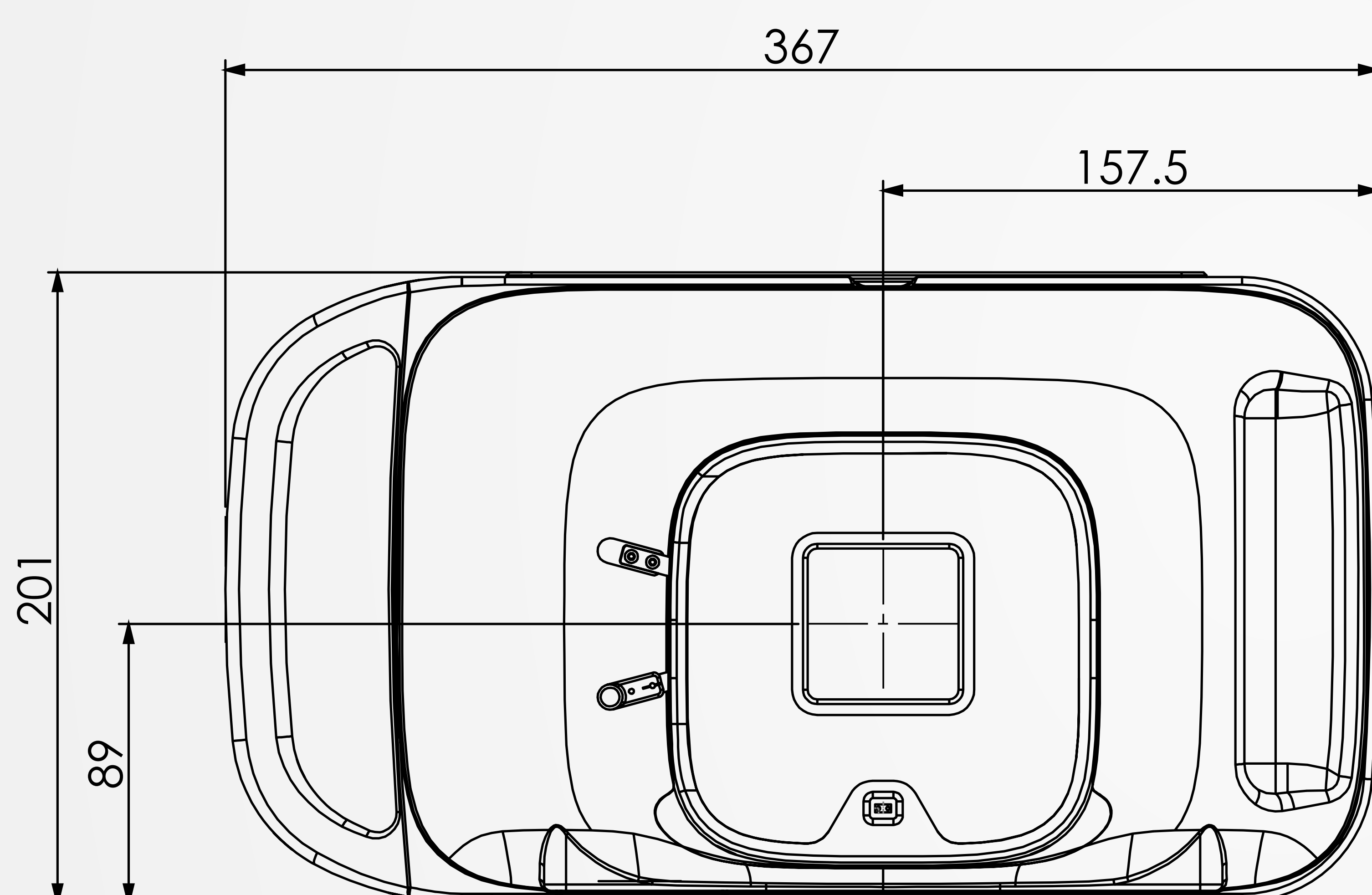
## PORTABLE X-RAY SYSTEM

Portable X-ray 101 was developed to meet the needs of global organizations like UNDP, which wanted a portable device that can deliver high-quality images without the need for an extra workstation. It is a powerful, portable X-ray system that offers a maximum kV/mA of 90 kV and 5 mA suitable for a wide range of diagnostic applications.

With its integrated PC and a larger 10.1-inch touchscreen, operators can efficiently review X-ray images, streamlining diagnostics.

#Extremities #Abdominal #Chest #Orthopedics #Pediatrics

## TECHNICAL DRAWING



## TECHNICAL SPECIFICATIONS

Power Output	450 W	Battery Capacity	22.2 VDC / 2,200 mAh
kV/mA	50 - 90 kV / 2 - 5 mA	Operation	10,1" LCD touch screen
Exposure Time	0.04 - 1.3 sec	CPU	2.7 GHz, 4 Cores
Collimator	Multi-leaf collimator	RAM	8 GB
Anode Type	Stationary anode	Disk Storage	128 GB (approx. 3,200 images)
Anode Angle	19°	Weight	About 4.9 Kg
Focal Spot	0.5 mm	Dimension	366 × 201 × 188 mm
Heat Capacity	10,000 J	Packaging	530 × 400 × 400 mm, 12 Kg



## ADJUSTABLE COLLIMATOR FOR PRECISE AND TARGETED DIAGNOSES

Portable X-ray 101 adjustable collimator and LED light enable precise control over the size and shape of the X-ray beam. The LED light, combined with a distance sensor for automatic SID measurement, helps target the exposure area for more precise examinations

## TOUCHSCREEN FOR STREAMLINED WORKFLOW AND ENHANCED USER EXPERIENCE

Portable X-ray 101 features an exceptional 10.1-inch touch screen, which empowers operators to conveniently examine images taken directly from the device, eliminating the need for an external workstation. With a built-in PC and pre-installed FPD software on the device, medical practitioners can efficiently review X-ray images directly on the Portable X-ray 101, streamlining the diagnostic process and enhancing both workflow efficiency and the overall user experience. This innovation significantly elevates the standards of medical imaging technology, providing a comprehensive solution for healthcare professionals



• SIMPLE TO USE • USER-FRIENDLY UI • TOUCH SCREEN •

## FEATURES



### 1. Adjustable Collimator

Enables precise adjustment of the exposure area with knobs, featuring LED lights for guidance and an automatic distance measurement sensor for operational convenience.

### 2. 10.1" Touch Screen Display

Facilitates easy operation of the device, allowing users to adjust exposure parameters and view images directly on the high-definition 10.1" touch screen display.

### 3. USB Ports

Provides USB 2.0 and USB 3.0 ports for powering peripheral devices.

### 4. Ethernet Port

Includes an ethernet port for connecting the exposure hand switch.

### 5. Charging Port

Offers simple battery charging; can be plugged directly into a residential 120V outlet.

## DIAGNOSTIC IMAGES

Portable X-ray 101 empowers users to capture precise diagnostic images without limitations to body parts. Its versatile imaging capabilities allow for exceptional X-ray examinations across all anatomical regions, from the chest and extremities to the head, spine, and abdominal cavity, ensuring accurate diagnoses without constraints.





## CONTACT US

---

Phone +62 10 5051 1303

Email Address [sales@mediray.id](mailto:sales@mediray.id)

Website [mediray.co.id](https://mediray.id/) <https://mediray.id/>

[sales@mediray.co.id](mailto:sales@mediray.co.id)